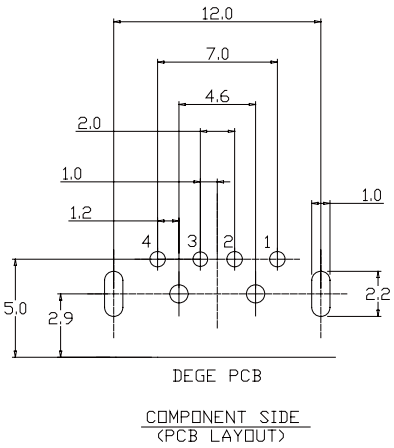
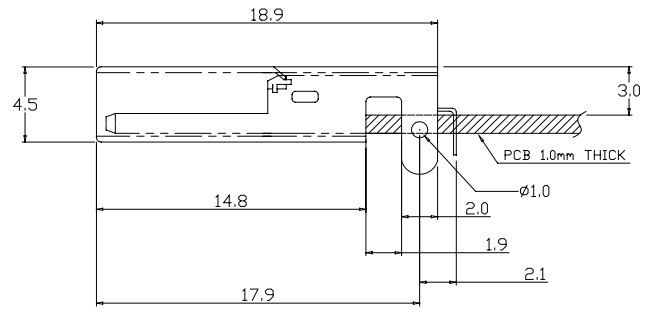
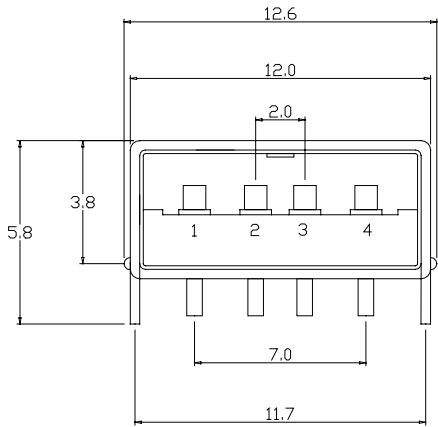


BY	CHK	REVISION RECORD MODIFICATIONS	DATE	REV.
ALLEN		RELEASE TO PRODUCTION	2007,9,10	1.0



Part No.: USB-001M D -A -U

B:Black W:White

No.	NAME	MATERIAL	FINISH	REMARK	Q'TY
1	HOUSING	NYLON PA9T G.F.	BLACK/WHITE		1
2	PIN TERM.	COPPER ANLLOY T:0.25 mm	GOLD/TIN PLATED	Ni:1.5u, Ti:3u, GOLD:1~3	4
3	SHELL	BRASS T:0.3 mm	NICKEL PLATED	Ni:2~3u	1

APPRO	CHECK	DRAWN	PART NO.	Part No.:USB-001MD-A-U	DESCRIPTION	
			ITEM NO.			
			DRAW NO.			
			UNIT	mm SCALE no		
			TOLER	NO.		
					Tel:0769 22020068 Fax: 0769 22020069 E-mail: sales@vigortec.com	